

Name _____

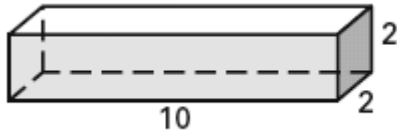
Date _____

LESSON 11.6

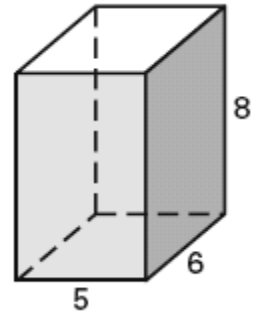
Practice A

Find the volume of the solid by determining how many unit cubes are contained in the solid.

1.

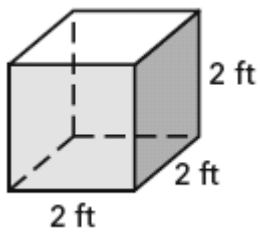


2.

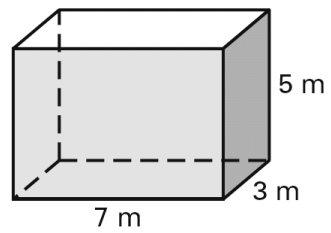


Find the volume of the right prism. Round your answer to two decimal places, if necessary.

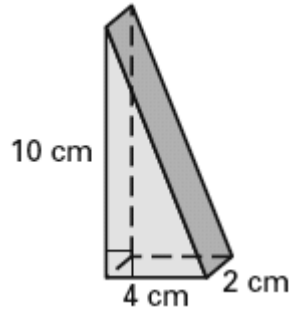
3.



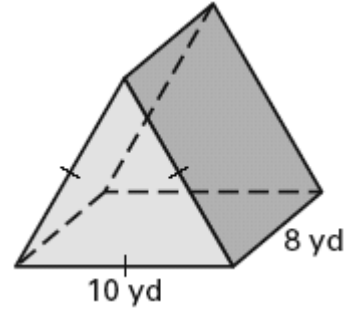
4.



5.

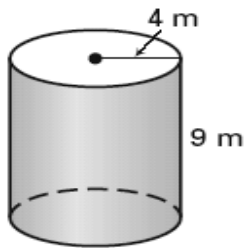


6.

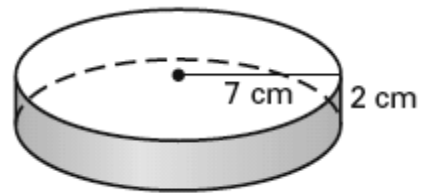


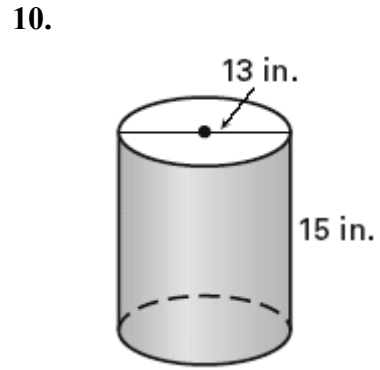
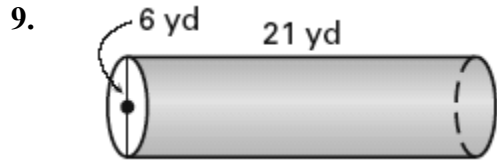
Find the volume of the right cylinder. Round your answer to two decimal places.

7.



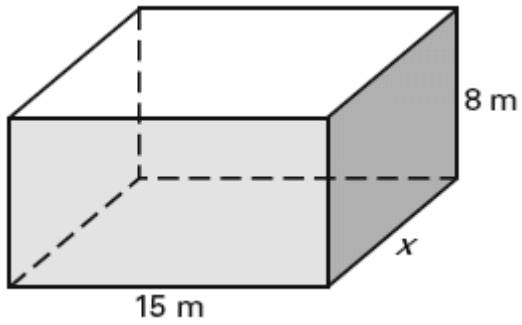
8.



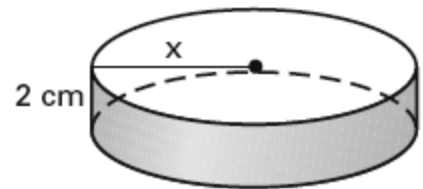


Find the length x using the given volume V .

11. $V=1440 \text{ m}^3$



12. $V=72\pi \text{ cm}^3$



13. $V=360 \text{ ft}^3$

