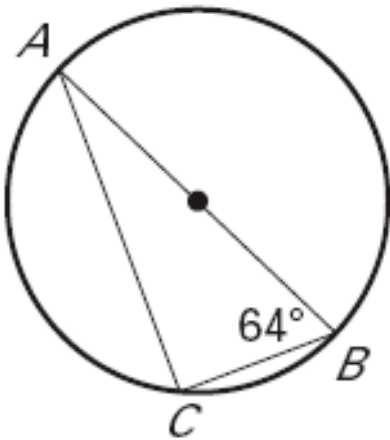


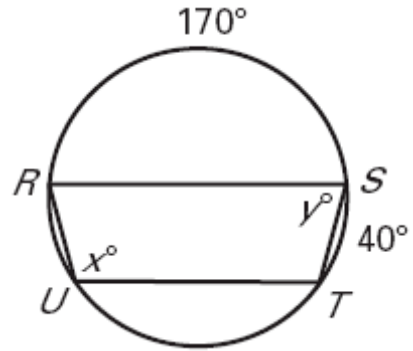
Inscribed Angles

1. Find  $m\widehat{BC}$ .

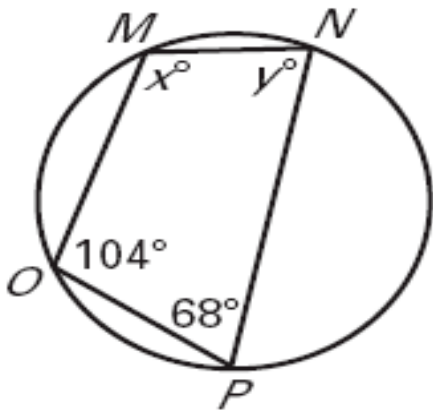


Name \_\_\_\_\_

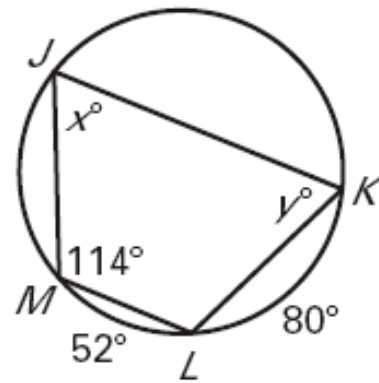
2. Find the value of x and y.



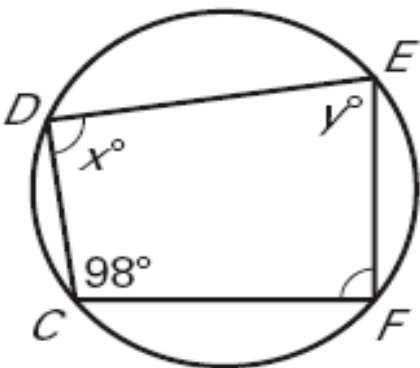
3. Find the value of x and y.



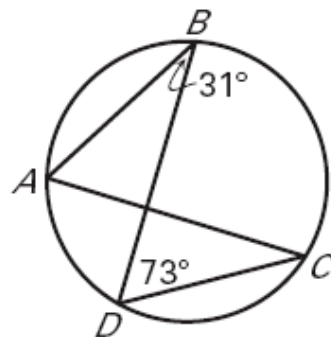
4. Find the value of x and y.



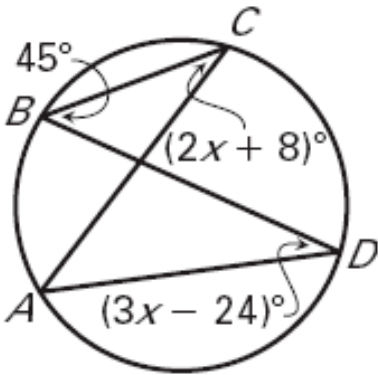
5. Find the value of x and y.



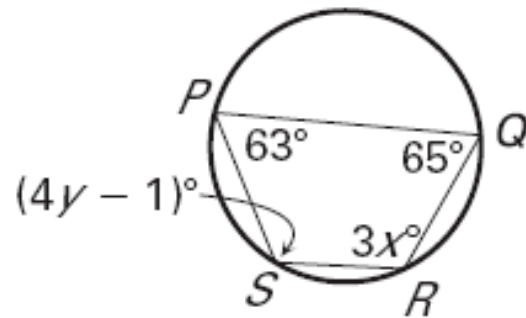
6. Find the  $m\angle A$  and  $m\angle C$ .



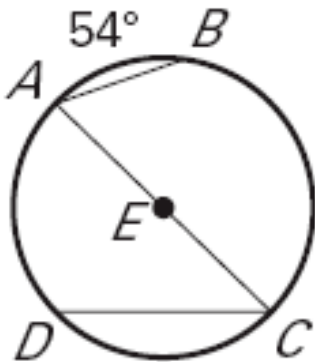
7. Find the value of  $x$ .



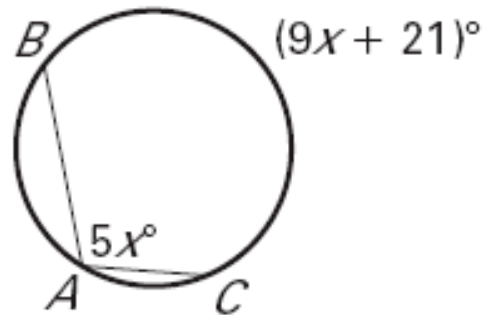
8. Find the value of  $x$  and  $y$ .



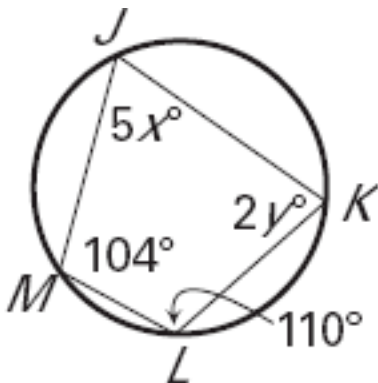
9. Find  $m\angle A$ .



10. Find the value of  $x$ .



11. Find the values of  $x$  and  $y$ .



12. Find the  $m\angle B$ .

